



# Technical Service Bulletin

## 10 Oil loss from the filler cap

10 20 20 2059446/3 October 29, 2020. Supersedes Technical Service Bulletin Group 10 number 20-19 dated July 14, 2020 for reasons listed below.

Model(s)	Year	VIN Range	Vehicle-Specific Equipment
Q5, SQ5	2017	All	3.0 TFSI
Q5, SQ5	2018	000001 - 212605	3.0 TFSI
A4, A5, A5 Sportback, A5 Cabriolet, A6, A7, A8, RS5, RS5 Cabriolet, RS6, RS7, S4, S5 Cabriolet, S6, S7, S8, Q7, and SQ7	2017 - 2018	All	3.0 TFSI
A4, S4	2019	000001 - 056412	3.0 TFSI
A5, A5 Sportback, A5 Cabriolet, RS5, RS5 Cabriolet, and S5 Cabriolet	2019	000001 - 027694	3.0 TFSI
A6, A7, S6, and S7	2019	000001 - 118457	3.0 TFSI
A8, S8	2019	000001 - 011487	3.0 TFSI
Q7, SQ7	2019	000001 - 004275	3.0 TFSI

## Condition

REVISION HISTORY		
Revision	Date	Purpose
3	-	Revised <i>Service</i> (Added photo and description)
2	07/14/2020	Revised header (Corrected Elsa display issue)



# Technical Service Bulletin

1	05/12/2020	Initial publication
---	------------	---------------------

## Customer states:

- Oil loss in the engine compartment, front end, and the filler cap.
- There is a smell coming from the engine compartment.

## Workshop findings:

- There are traces of oil around the filler cap.

## Technical Background

A faulty membrane in the breather line can result in excess pressure in the crankcase and therefore some oil loss through the filler cap.

## Production Solution

A breather line with an improved membrane has been implemented in production.

## Service

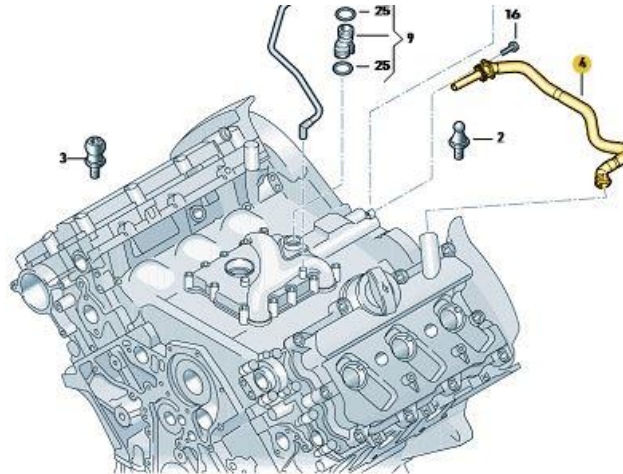
Replace the breather line (different variants available, only order by VIN) (Figures 1 and 2).



**Figure 1.** Breather line for Turbocharged V6.



# Technical Service Bulletin



**Figure 2.** Breather line for Supercharged V6.

## Warranty

<b>Claim Type:</b>	<ul style="list-style-type: none"> <li>• 110 up to 48 Months/50,000 Miles.</li> <li>• G10 for CPO Covered Vehicles – Verify Owner.</li> <li>• If the vehicle is outside any warranty, this Technical Service Bulletin is informational only.</li> </ul>		
<b>Service Number:</b>	1050		
<b>Damage Code:</b>	0050		
<b>Labor Operations:</b>	Remove + install crankcase breather hose	1052 1943 <b>Or</b> 1052 1993	See SRT with associated operations
	Remove + install crankcase breather hose	1052 1999 <b>Or</b> 1052 1943 ( <b>Q8 only</b> )	30 TU <b>Or</b> See SRT with associated operations
	Clean (If required)	1052 2999	5 TU
<b>Diagnostic Time:</b>	GFF	No allowance	0 TU



# Technical Service Bulletin

	Road test prior to the service procedure	No allowance	0 TU
	Road test after the service procedure	No allowance	0 TU
<b>Claim Comment:</b>	As per TSB #2059446/3		

All warranty claims submitted for payment must be in accordance with the *Audi Warranty Policies and Procedures Manual*. Claims are subject to review or audit by Audi Warranty.

## Required Parts and Tools

Always check with your Parts Department and/or ETKA for the latest information and parts bulletins.		
Part Number	Part Description	Quantity
See ETKA	Fasteners, Bolts, Nuts, and Screws as needed per the Repair Manual	See ETKA/ELSA
Order by VIN	Breather Line	01

## Additional Information

All parts and service references provided in this TSB (2059446) are subject to change and/or removal.

©2020 Audi of America, Inc. All rights reserved. The information contained in this document is based on the latest information available at the time of printing and is subject to the copyright and other intellectual property rights of Audi of America, Inc., its affiliated companies and its licensors. All rights are reserved to make changes at any time without notice. No part of this document may be reproduced, stored in a retrieval system, or transmitted in any form or by any means, electronic, mechanical, photocopying, recording, or otherwise, nor may these materials be modified or reposted to other sites without the prior expressed written permission of the publisher.