

## 034Motorsport B5 Audi A4/S4/RS4 Quattro Solid Rear Sway Bar & Subframe Reinforcement Installation



### Supplied Parts:

- 034Motorsport B5 Audi A4/S4/RS4 Quattro Solid Rear Sway Bar
- Graphite-Impregnated Urethane Bushings with Grease (2)
- Billet Aluminum Sway Bar Brackets (2)
- B5 Rear Subframe Brace U-Brackets (2)
- B5 Rear Subframe Brace Bracket Right (1)
- B5 Rear Subframe Brace Bracket Left (1)
- B5 Rear Subframe Brace Round Threaded Bottoms (2)
- M8 Washer (10)
- M8x55 Cap Screw (2)
- M8x35 Cap Screw (6)
- M8x30 Cap Screw (2)
- M10 Washer (8)
- M10x30 Cap Screw (4)
- M10x1.5 Nylock Nut (4)

### Tools Needed:

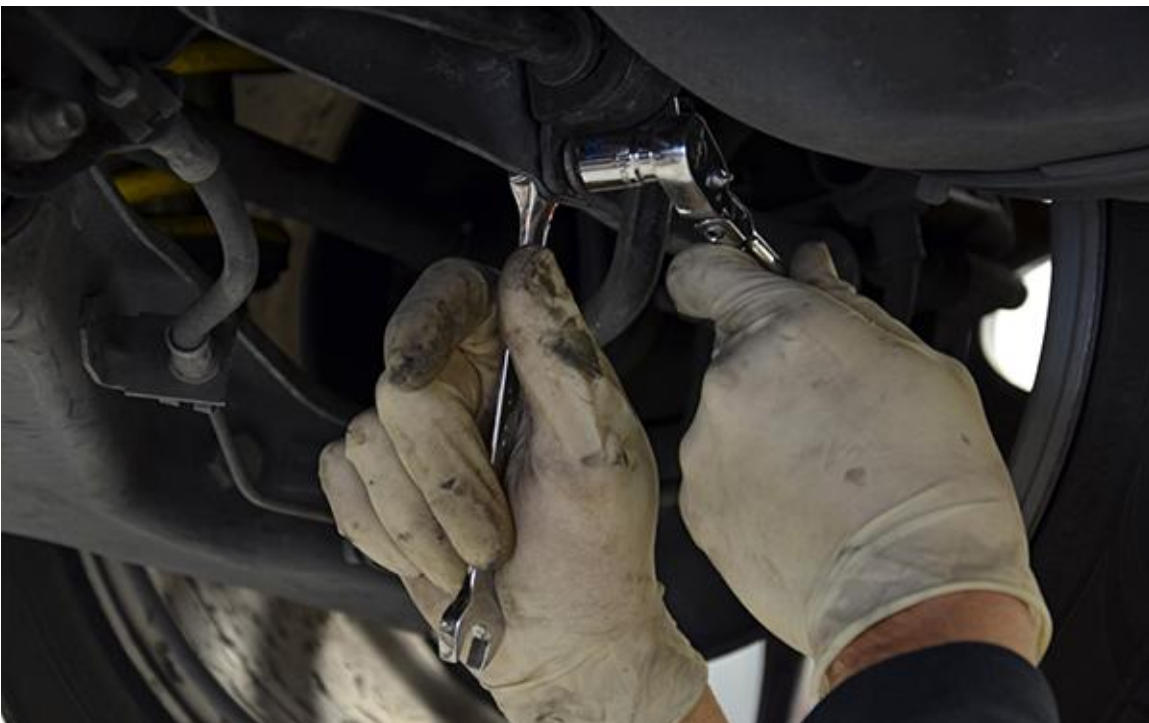
- Hands (2) (*Opposable thumbs are optional*)
- Ratchet with Extensions
- 13mm Socket
- 17mm Socket
- 13mm Open Ended Wrench
- 16mm Open Ended Wrench

**Step 0** – Raise the back of the vehicle securely using ramps, jackstands, or a lift.

**Step 1** – Detach the end links from the sway bar using the 17mm socket on the nut, and 16mm open ended wrench to hold the ball joint.



**Step 2** – Remove the factory sway bar brackets from the rear subframe using the 13mm socket and open ended wrench.



**Step 3** – Remove the sway bar from the car, sliding it over the exhaust and rotating it to remove.

**\*\* Please Note: The sway bar mounting portion of the factory subframe may need to be straightened, as they are prone to bending. This is especially common if you've run an upgraded rear sway bar without any subframe brace. \*\***

**Step 4** – Install the left and right subframe brace brackets into the subframe using the M10 bolts nuts, and washers. **Do not tighten the hardware completely, so that you can adjust the alignment of the brackets during installation.**



**Step 5** – Slip the subframe brace u-brackets over the tie rod and position the appropriately in the subframe. Using the M8x35 bolts and M8 washers, secure them to the left and right subframe brace brackets. **Do not tighten the hardware completely, so that you can adjust the alignment of the brackets during installation.**



**Step 6** – Install the subframe brace round threaded bottoms using the M8x30 bolts and M8 washers.

**Step 7** – Grease the sway bar bushings using the supplied grease, and slip them onto the sway bar. Slip the sway bar over the exhaust and into place. Slip billet sway bar brackets over bushings.

**Step 8** – Loosely install the top M8x35 bolt and M8 washer for the brackets. Only engage a few threads. You may need to wiggle the subframe brace around to accomplish this.

**Step 9** – Loosely install the bottom M8x55 bolt and M8 washer for the brackets. Only engage a few threads. You may need to wiggle the subframe brace around to accomplish this.

**Step 10** –Level the sway bar, and tighten the hardware. The top bolt on the passenger side bracket is difficult to access due to the gas tank. You will need to use an open-ended wrench, and patience.



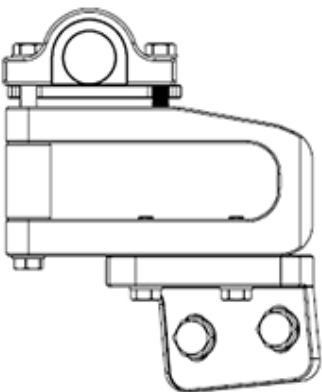
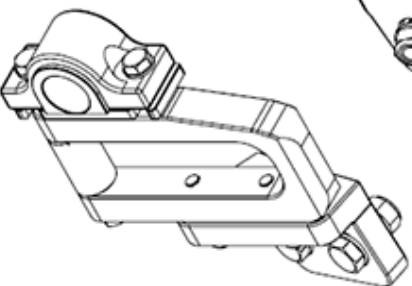
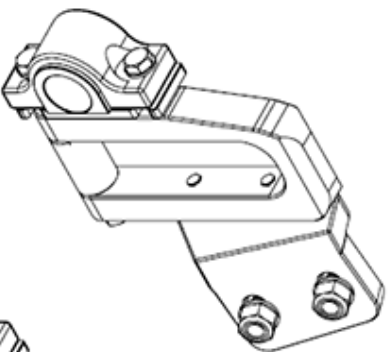
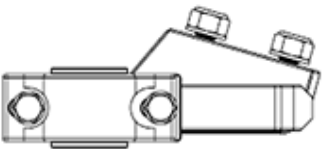
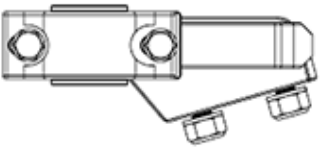
**Step 11** – Tighten the M8 and M10 subframe brace hardware that you left loose in Step 4 and Step 5. You will need to tighten the top M10 bolts and nuts first, then the bottom ones.

**Step 12** – Verify clearances for the sway bar and ensure that all hardware is tightened.

**Step 13** – Reattach the stock end links to the rear sway bar. You may need to compress the suspension in order to do this. Tighten using the same 16mm wrench and 17mm socket that you used to remove it.



ITEM NO.	PART NUMBER	QTY.
1	Swaybar mount bracket	2
2	B5 Rear Sway Bar Brace Bushing	2
3	B5 1in Rear Swaybar Bracket	2
4	M8 Washer	10
5	M8x55 Cap Screw	2
6	B5 Sway Bar Bracket Spacer	2
7	M8x35 Cap Screw	6
8	M8x30 Cap Screw	2
9	M10 Washer	8
10	M10x30 Cap Screw	4
11	M10x1.5 NyLock Nut	4
12	B5 Rear Sway Bar Chassis Brace Bracket Right	1
13	B5 Rear Sway Bar Chassis Brace Bracket	1
14	1in Swaybar Bushing Short	2



# 034MOTORSPORT

UNLESS OTHERWISE SPECIFIED:  
 DIMENSIONS ARE IN MM  
 TOLERANCES:  
 FRACTIONAL ±  
 ANGULAR: MACH ±  
 TWO PLACE DECIMAL ±  
 THREE PLACE DECIMAL ±

BEST PRACTICE GEOMETRIC  
 TOLERANCING PER:  
 MATERIAL  
 FINISH

PROPERTY AND CONFIDENTIAL  
 THE INFORMATION CONTAINED IN THIS  
 DRAWING IS THE SOLE PROPERTY OF  
 034MOTORSPORT. ANY REPRODUCTION  
 IN PART OR AS A WHOLE WITHOUT  
 THE WRITTEN PERMISSION OF  
 034MOTORSPORT IS PROHIBITED.

NAME DATE TITLE:

DRAWN	CHECKED	ENG APPR.	MFG APPR.	Q.A.

SIZE DWG. NO. REV  
**A**85 Rear Sway Bar Bracket Mockup **1**

SCALE: 1:3 WEIGHT: SHEET 1 OF 1

5 4 3 2 1